



# FASHION TECHNOLOGY x LILYPAD ARDUINO

Sarah Yun & Vanessa Prema

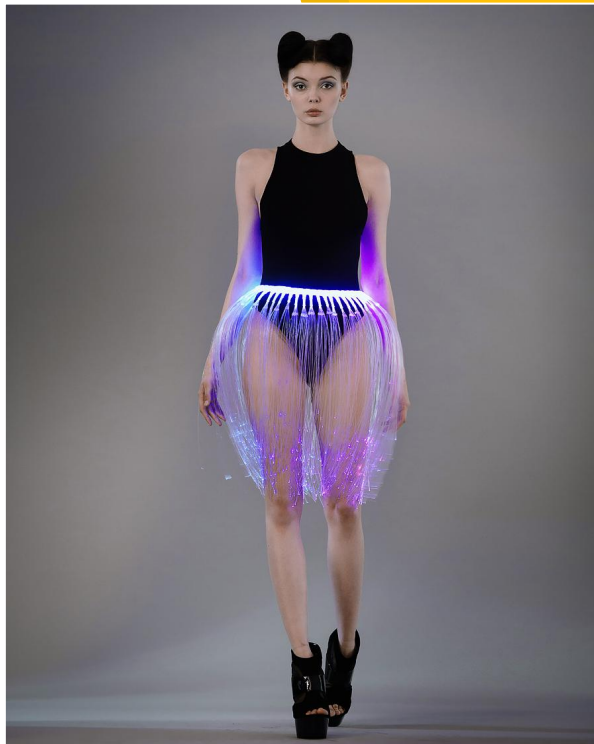
# HELLO!



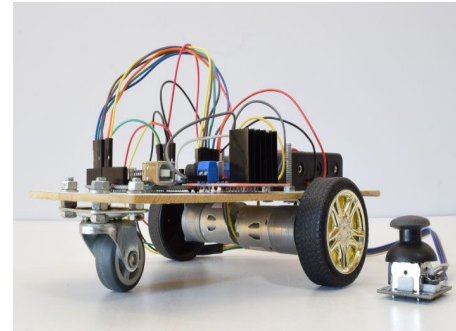
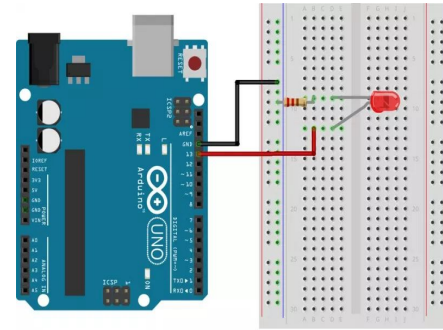
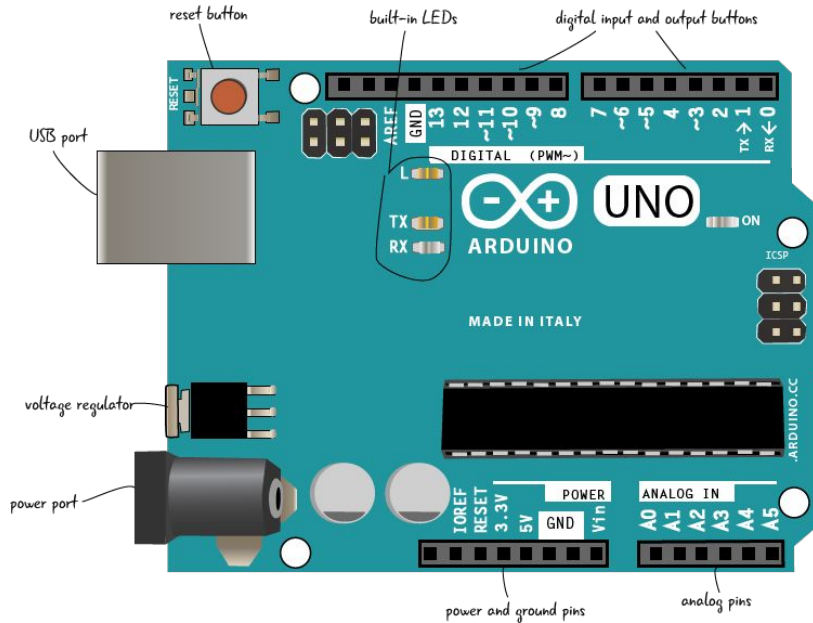
# BEYOND WEARABLES



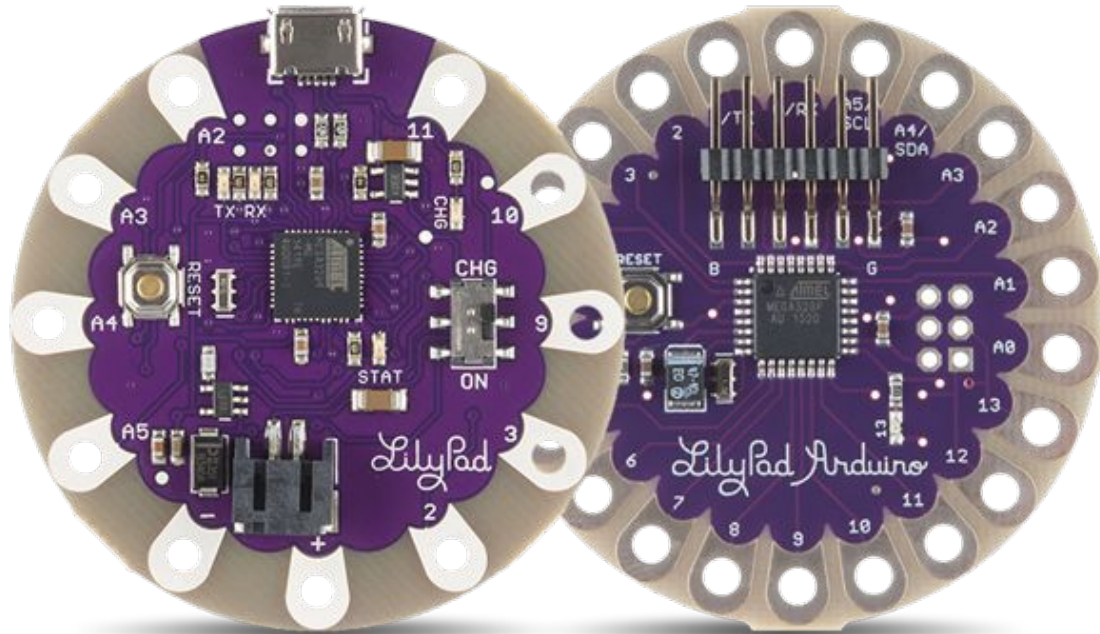
# FASHION TECHNOLOGY



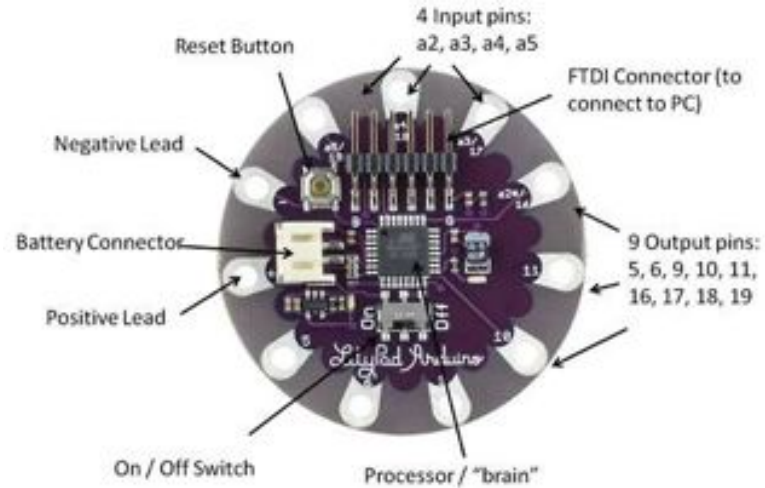
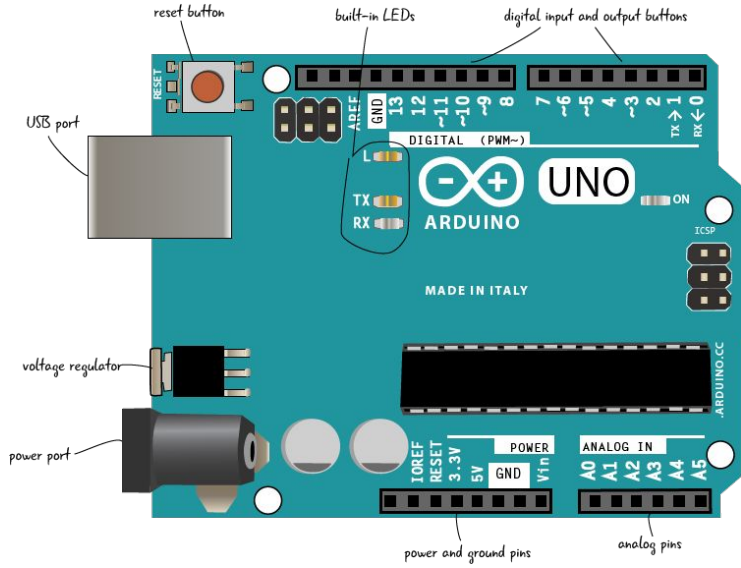
# WHAT IS ARDUINO?



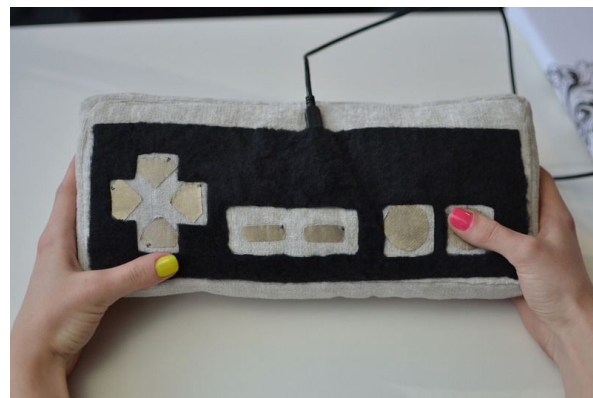
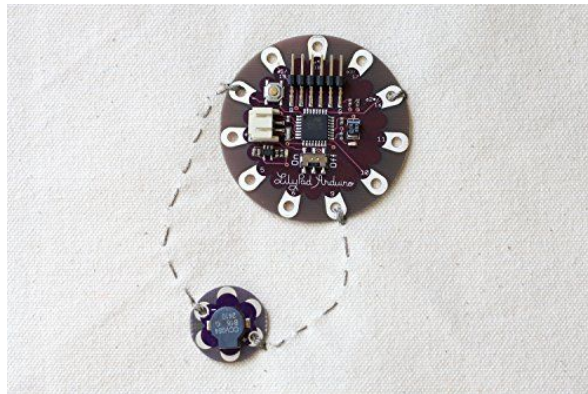
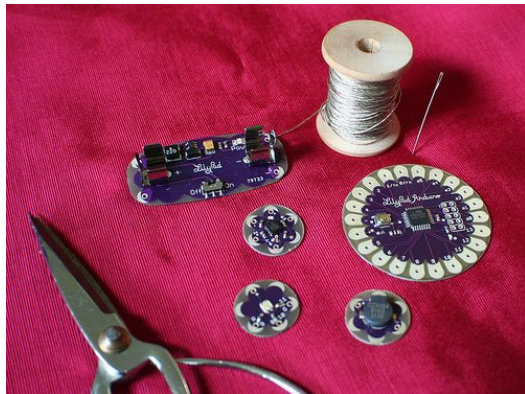
# LILYPAD ARDUINO



# UNO VS LILYPAD

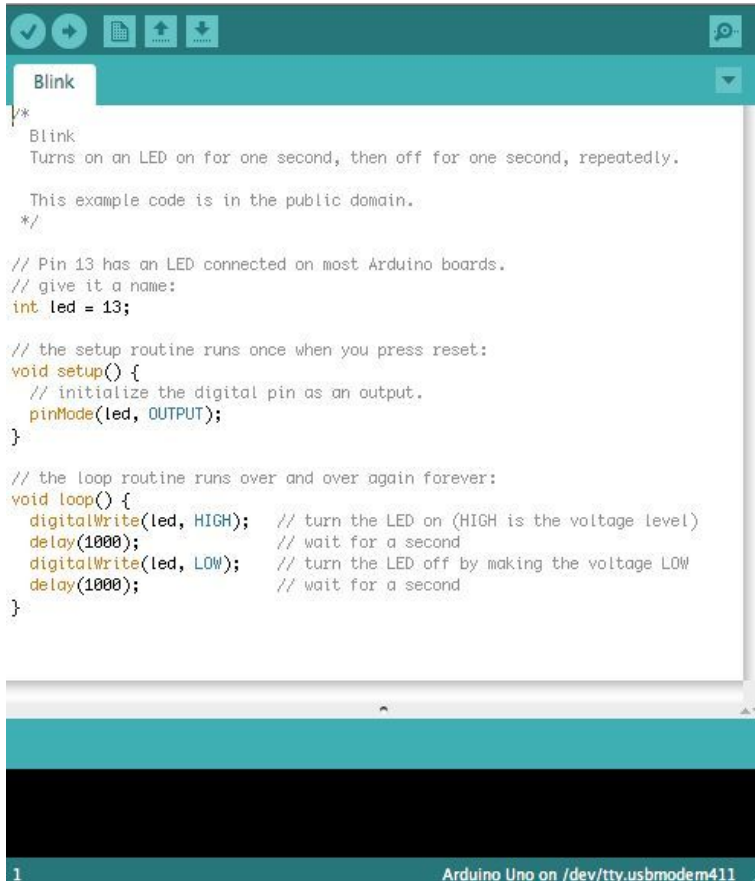


# LILYPAD IMPLEMENTATION





# ARDUINO LANGUAGE



```

Blink
/*
 * Blink
 * Turns on an LED on for one second, then off for one second, repeatedly.
 *
 * This example code is in the public domain.
 */

// Pin 13 has an LED connected on most Arduino boards.
// give it a name:
int led = 13;

// the setup routine runs once when you press reset:
void setup() {
  // initialize the digital pin as an output.
  pinMode(led, OUTPUT);
}

// the loop routine runs over and over again forever:
void loop() {
  digitalWrite(led, HIGH); // turn the LED on (HIGH is the voltage level)
  delay(1000);             // wait for a second
  digitalWrite(led, LOW);  // turn the LED off by making the voltage LOW
  delay(1000);             // wait for a second
}

```

1 Arduino Uno on /dev/tty.usbmodem411

## Main components

- ▶ Structure
- ▶ Values
- ▶ Functions



**DEMO**

**QUESTIONS?**