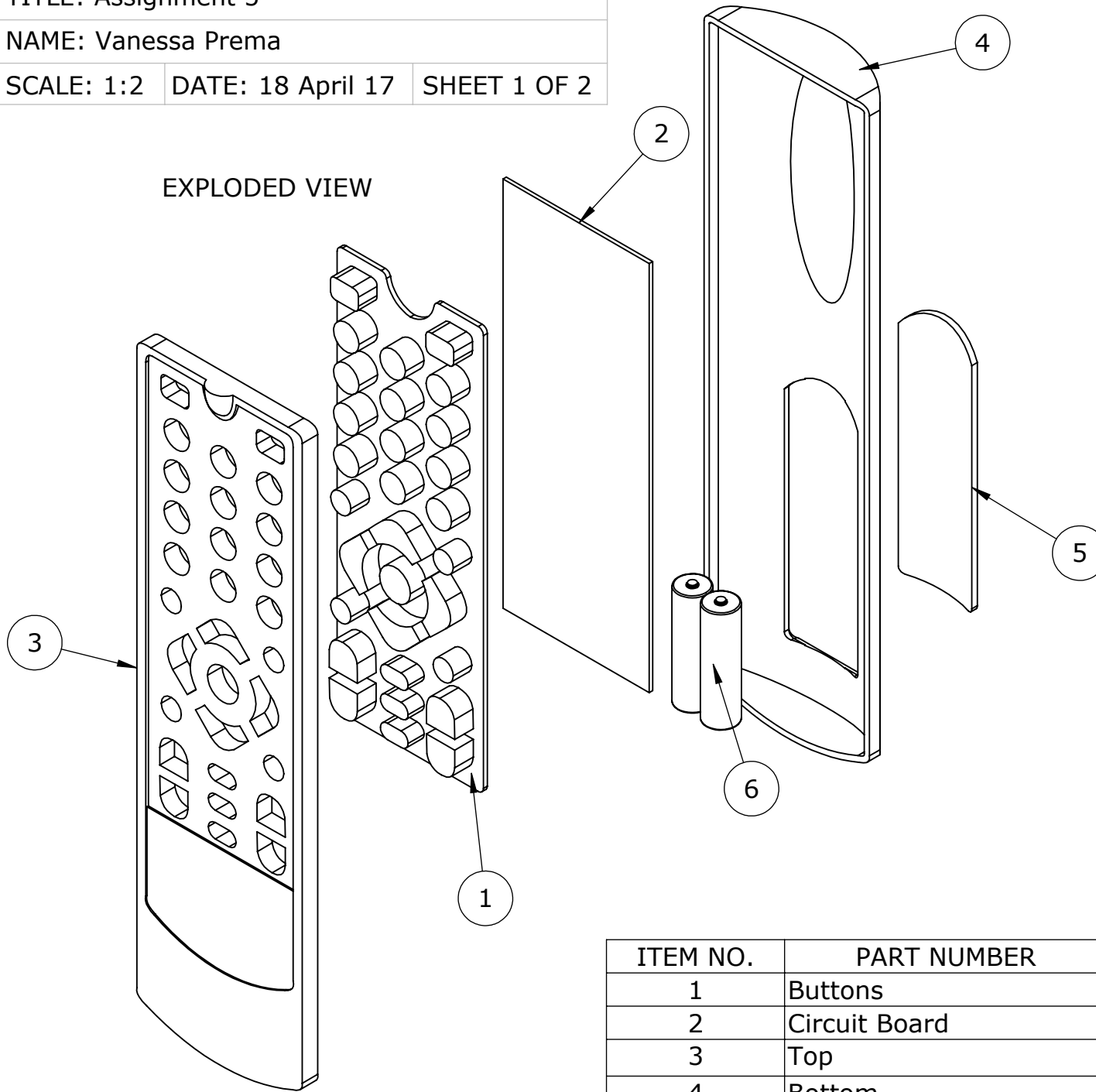


TITLE: Assignment 5

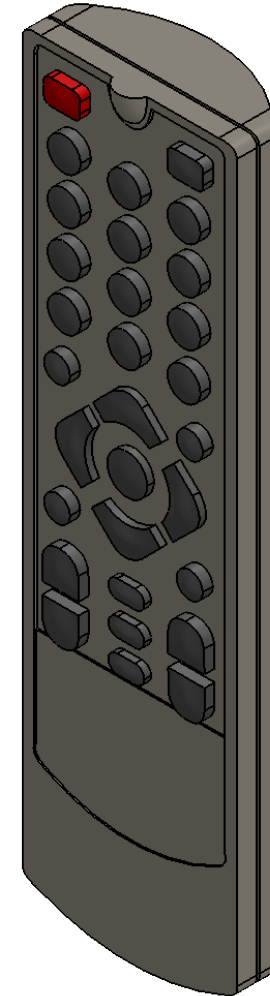
NAME: Vanessa Prema

SCALE: 1:2 | DATE: 18 April 17 | SHEET 1 OF 2

EXPLODED VIEW



ISOMETRIC VIEW



ITEM NO.	PART NUMBER	QTY.
1	Buttons	1
2	Circuit Board	1
3	Top	1
4	Bottom	1
5	Battery Piece	1
6	AA Battery	2

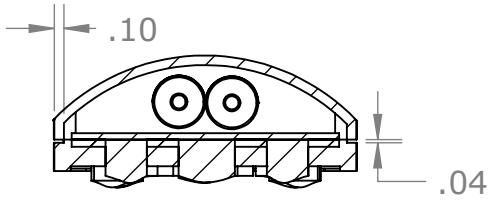
TITLE: Assignment 5

NAME: Vanessa Prema

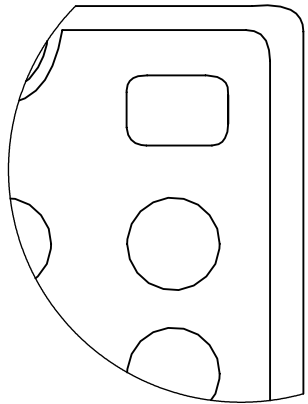
SCALE: 1:2

DATE: 18 April 17

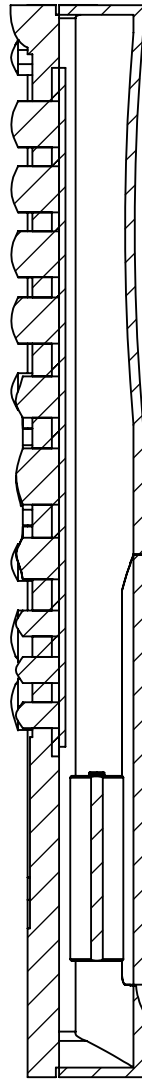
SHEET 2 OF 2



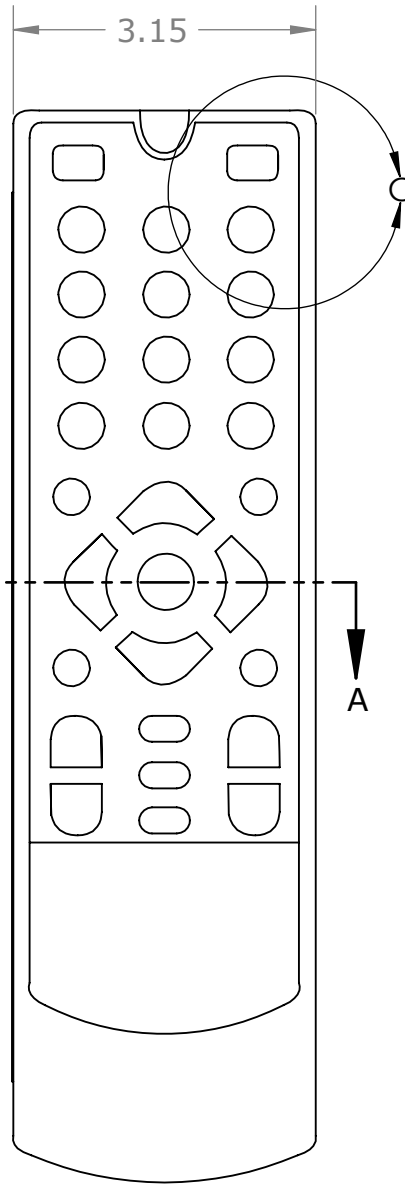
SECTION A-A
SCALE 1 : 2



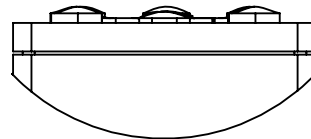
DETAIL C
SCALE 1 : 1



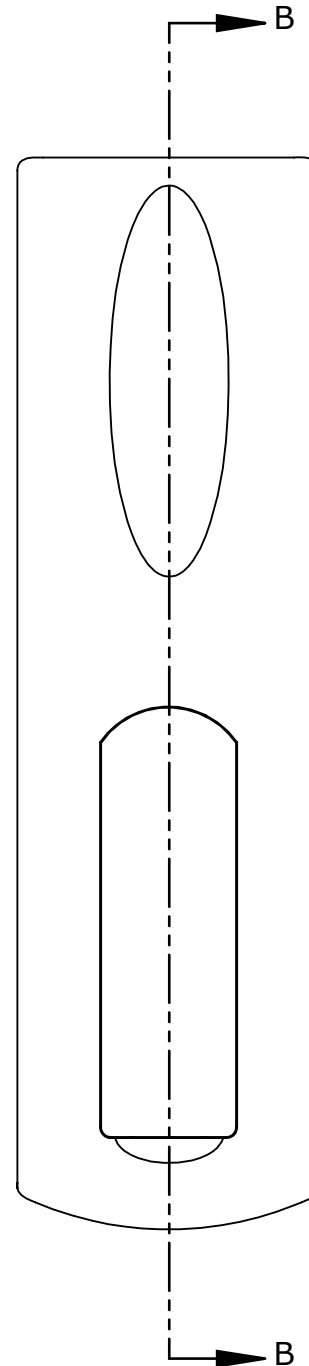
SECTION B-B
SCALE 1 : 2



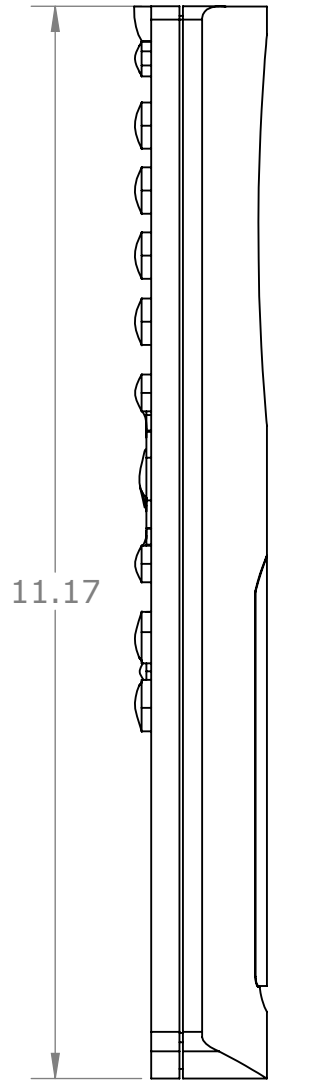
FRONT



BOTTOM



BACK



SIDE